



# D8K8005 THRU D8K810

## Glass Passivated Bridge Rectifiers 玻璃钝化整流桥

**Reverse Voltage - 50 to 1000 Volts**  
**反向电压 50-1000V**  
**Forward Current - 8.0 Amperes**  
**正向电流 8.0A**

### Features 特征

- Glass passivated chip 玻璃钝化芯片
- Low forward voltage drop 正向压降低
- Ideal for printed circuit board 适用于印刷电路板中
- High surge current capability 高的浪涌能力

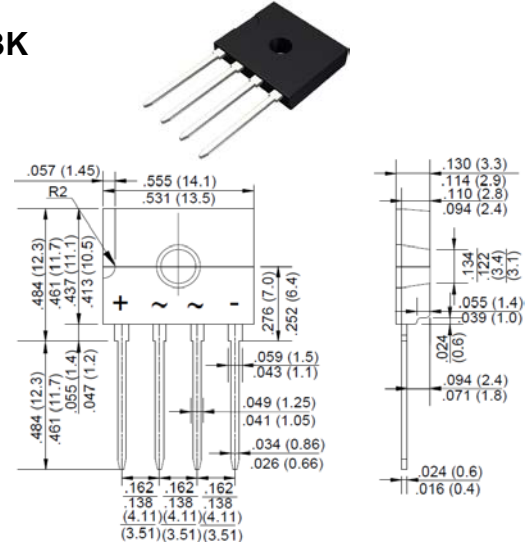
### Mechanical Data 外观信息

- Polarity: Symbol marked on body 极性: 标志在产品的本体上
- Mounting position: Any 安装位置: 任何位置

### Applications 应用

- General purpose use in AC/DC bridge full wave rectification, for SMPS, lighting ballaster, adapter, etc.  
一般应用于交流/直流桥式全波整流, 如: 开关电源, 照明镇流器、适配器等。

**D3K**



Package Outline Dimensions in Inches (Millimeters)

封装外观尺寸单位英寸(毫米)

## Maximum Ratings and Electrical Characteristics 最大额定值及电气特性

Rating at 25°C ambient temperature unless otherwise specified. 环境温度25°C, 除非特别说明。  
Single phase, half wave, 60Hz, resistive or inductive load. 单相半波, 60Hz, 阻性或感性负载。  
For capacitive load, derate current by 20%. 对于电容性负载, 降低20%的额定电流。

Characteristics 特性	Symbol 符号	D8K8005	D8K801	D8K802	D8K804	D8K806	D8K808	D8K810	Unit 单位
Maximum Repetitive Peak Reverse Voltage 最大重复峰值反向电压	V <sub>RRM</sub>	50	100	200	400	600	800	1000	V
Maximum RMS Voltage 最大有效反向电压	V <sub>RMS</sub>	35	70	140	280	420	560	700	V
Maximum DC Blocking Voltage 最大直流阻断电压	V <sub>DC</sub>	50	100	200	400	600	800	1000	V
Maximum Average Forward Rectified Current @T <sub>c</sub> =120 °C (with heatsink) 最大正向平均整流电流	I <sub(av)< sub=""></sub(av)<>	8							A
Peak Forward Surge Current, 8.3mS Single Half Sine-Wave, Superimposed on Rated Load (JEDEC Method) 8.3mS单一正弦半波叠加在额定负载上的浪涌能力 (JEDEC方法)	I <sub>FSM</sub>	200							A
I <sup>2</sup> t Rating for Fusing (t<8.3mS) 熔断额定值 (t<8.3mS)	I <sup>2</sup> t	164.2							A <sup>2</sup> s
Peak Forward Voltage per Diode at 3.0A DC 单个二极管在3.0A电流下的正向峰值电压	V <sub>F</sub>	1.05							V
Typical Thermal Resistance to Ambient 结到环境的典型热阻值	R <sub>θJA</sub>	54							°C/W
Maximum DC Reverse Current at Rated @T <sub>J</sub> =25°C DC Blocking Voltage per Diode @T <sub>J</sub> =125°C 单个二极管在额定直流电压下的最大反向直流电流	I <sub>R</sub>	5.0 500							μA
Operating Junction Temperature Range 结温工作范围	T <sub>J</sub>	-55 to +150							°C
Storage Temperature Range 储存温度范围	T <sub>STG</sub>	-55 to +150							°C

Note: The typical data above is for reference only(典型值仅供参考).

Fig. 1 - Forward Current Derating Curve  
图1 正向电流降额曲线

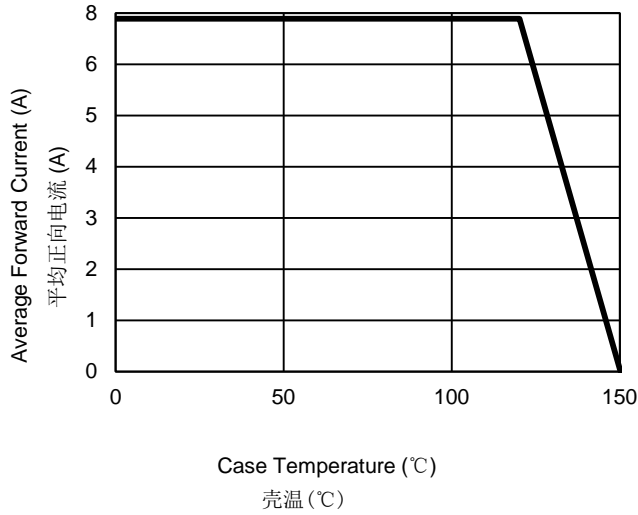


Fig. 2 - Maximum Non-Repetitive Surge Current  
图2 最大不重复正向浪涌曲线

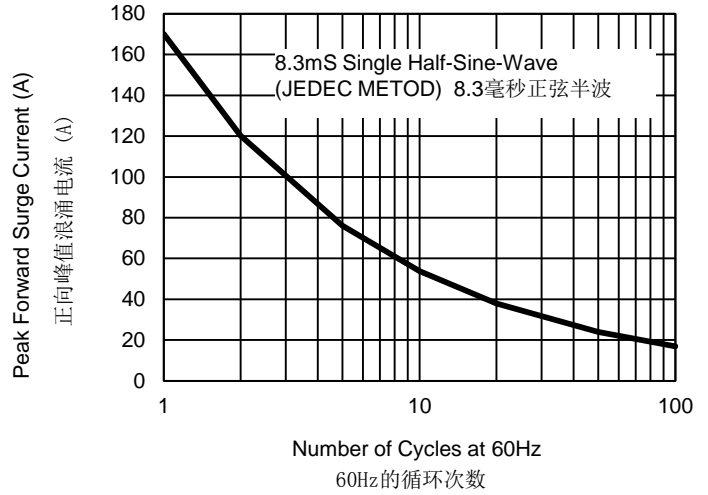


Fig. 3 - Typical Reverse Characteristics  
图3 典型的反向特性

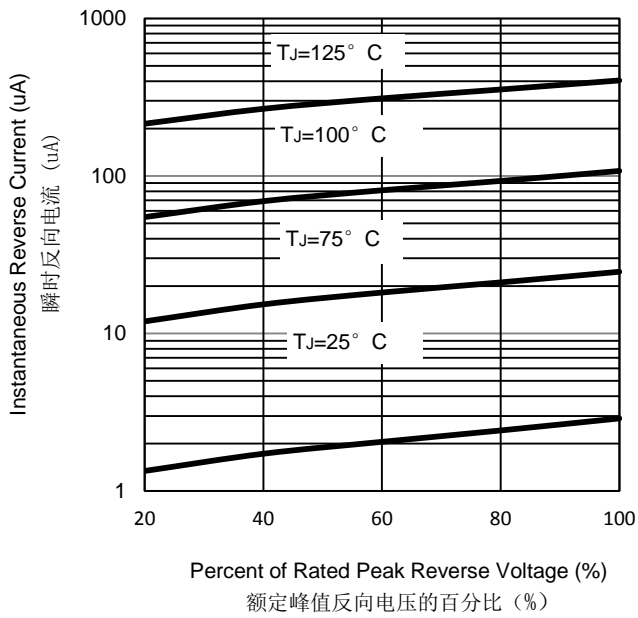


Fig. 4 - Typical Forward Characteristics  
图4 典型的正向特性

